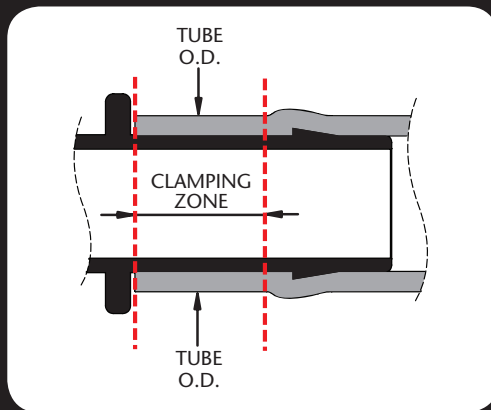




How to determine the outside diameter of your tube

1. Insert fitting into LDPE poly or drip tube.
2. Measure the Outside Diameter (O.D.) of the tube within the clamping zone of the fitting (after the barb).
3. Record the tube O.D.



STAINLESS STEEL
IRRIGATION CLAMPS BY

TORO